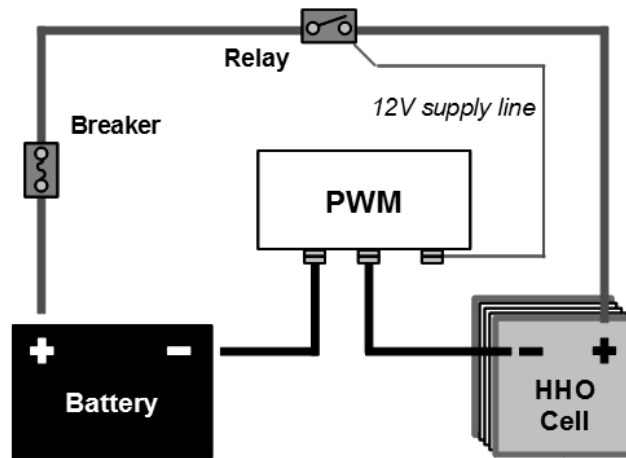


PWM Installation Instructions r3c

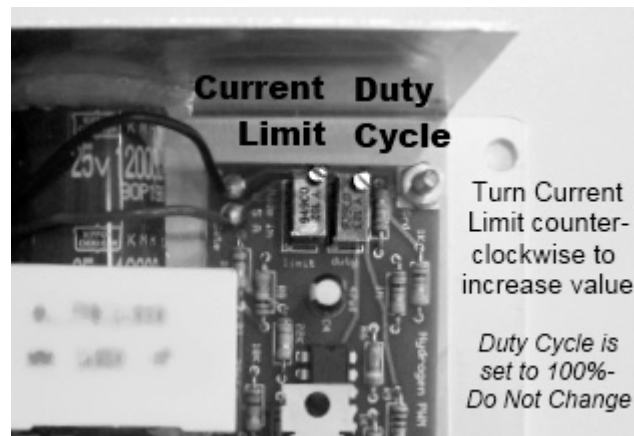
Congratulations on your purchase of a Constant Current Pulse Width Modulator. Adding this PWM will increase efficiency and prevent overheating of your HHO generator during long periods of operation. Below is a wiring diagram to help install and set up the PWM.

Please make sure all electrical connections are secure and you are using insulated wire sufficient for the current demands on your system. Once installed, mix your electrolyte concentration very high to about 20% strength. (This means 200 grams per liter, or almost one cup per quart.)



After the cell operates for a while or external temperatures increase, the cell will want to draw more amperage. With the PWM installed, this will not happen. The PWM will roll back on the duty cycle. Voltage will remain the same, but the amperage will not increase beyond your initial settings.

The factory settings for your unit are set to 15 amps. Advanced users may open the case and make adjustments based upon their specific needs, but we recommend using the unit as delivered to start.



Please enjoy your purchase!